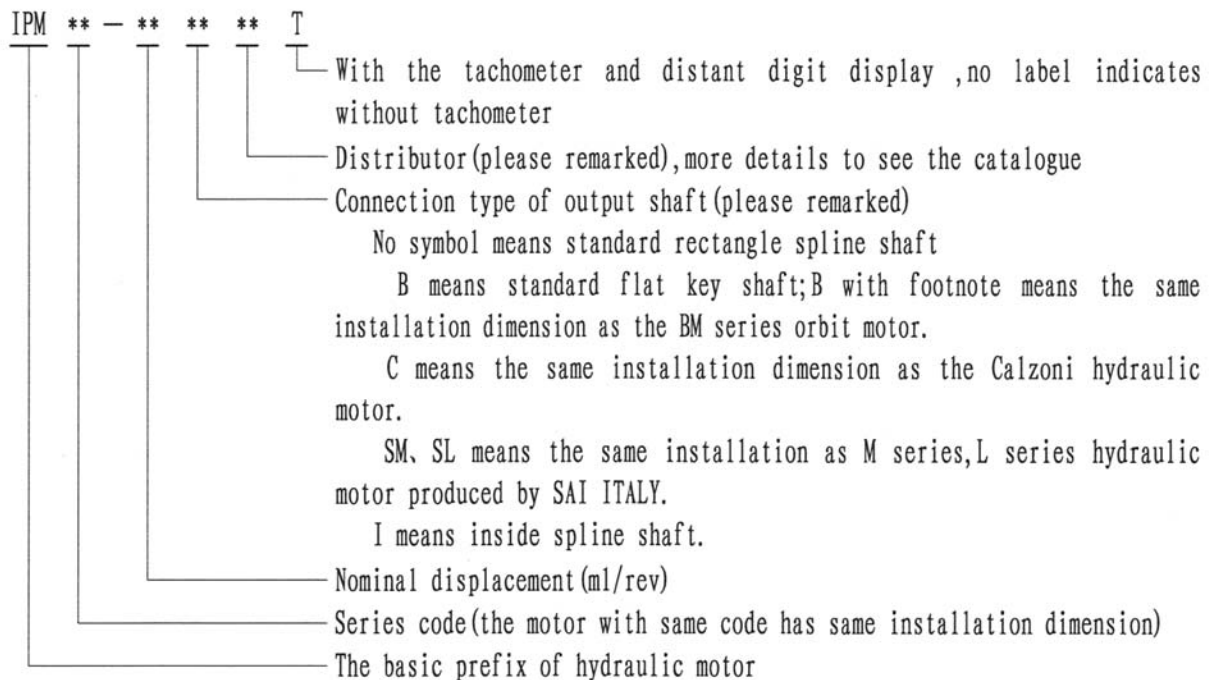


## ● IPM Series Hydraulic Motors

### 1. Brief Introduction

IPM series motors are new products, developed by combining advantages of similar products at home and abroad with practical experience of our company accumulated over one decade. PM series motors are characterized by wide range of displacement, great interchangeability (We produce lots of non-standards products, which can replace similar products at home and abroad.), great durability and good design.

### 2. Model options



### 3. Options example

IPM3-300D31 represents that the motor is the 3 series unit of IPM hydraulic motor, The nominal displacement is 300ml/rev, the output shaft is standard rectangle spline shaft, and distributor model is D31 without tachometer. Please fill in the complete code options when ordering. If there are any specific requests, please noted in detail in delivery contract or contact our company.

#### Notes:

1. IPM series motors can replace motors of same displacement produced by intermot, Calzoni, Staffa, SAI, and domestic brands, such as BIGNOZZI and Zhongyi.

2. If customers want to purchase hydraulic motors with non-standard installing dimension, we can offer technical support to customers. Please contact us before place an order.

## 4. IPM系列液压马达技术性能参数

型号 TYPE	理论排量(ml/r) THEORIC DISPLACEMENT	额定压力(MPa) RATED PRESSURE	尖峰压力(MPa) PEAK PRESSURE	额定扭矩(N·m) RATED TORQUE	单位扭矩(N·m/MPa) SPECIFIC TORQUE	转速范围(r/min) SPEED RANGE	最大功率(kW) Max POWER	重量(kg) WEIGHT
IPM1-50	56	20	28	178	8.90	15-1000	15	23
IPM1-63	64	20	28	203	10.15	15-900		
IPM1-80	76.9	20	28	244	12.20	15-800		
IPM1-100	100	20	25	318	15.90	15-750		
IPM1-125	124	16	24	305	19.06	15-650		
IPM1-150	157	16	24	398	24.88	15-500		
IPM1-160	179	16	24	456	28.50	15-450		
IPM1-200	194	16	24	492	30.75	15-400		
IPM2-125	124	20	28	394	19.70	8-700	22	31
IPM2-150	151	20	28	480	24.00	8-650		
IPM2-175	180	16	25	457	28.56	8-600		
IPM2-200	206	16	25	523	32.69	8-550		
IPM2-250	235	16	25	598	37.38	8-500		
IPM2-280	276	16	24	702	43.88	8-450		
IPM2-300	318	16	24	809	50.56	8-400		
IPM3-175	181	20	30	578	28.90	7-800	36	39
IPM3-200	201	20	30	640	32.00	7-700		
IPM3-250	254	20	30	810	40.50	7-600		
IPM3-300	289	20	30	920	46.00	7-500		
IPM3-350	339	16	25	864	54.00	6-420		
IPM3-400	403	16	25	1027	64.19	6-350		
IPM3-420	427	16	25	1088	68.00	6-330		
IPM3-450	451	16	25	1148	71.75	6-300		
IPM4-400	397	20	30	1265	63.25	5-500	52	66
IPM4-450	452	20	30	1440	72.00	5-480		
IPM4-500	490	20	30	1562	78.10	5-450		
IPM4-600	593	20	30	1890	94.50	5-420		
IPM4-650	660	16	25	1680	105.00	5-400		
IPM4-700	706	16	25	1800	112.50	5-380		
IPM4-750	754	16	25	1921	120.06	5-350		
IPM4-800	815	16	25	2064	129.00	5-300		
IPM5-700	713	20	30	2268	113.40	4-400	68	84
IPM5-750	763	20	30	2428	121.40	4-380		
IPM5-800	815	20	30	2594	129.70	4-350		
IPM5-850	868	16	25	2196	137.25	4-340		
IPM5-900	895	16	25	2278	142.38	4-320		
IPM5-1000	1009	16	25	2774	173.38	4-300		
IPM6-700	714	20	30	2260	113.00	4-400	78	98
IPM6-800	792	20	30	2520	126.00	4-400		
IPM6-900	904	20	30	2860	143.00	4-380		
IPM6-1000	992	20	30	3140	157.00	4-320		
IPM6-1100	1116	20	30	3540	177.00	3-300		
IPM6-1200	1247	16	25	3168	198.00	3-280		
IPM6-1300	1315	16	25	3344	209.00	3-250		



选型前请详阅各项说明

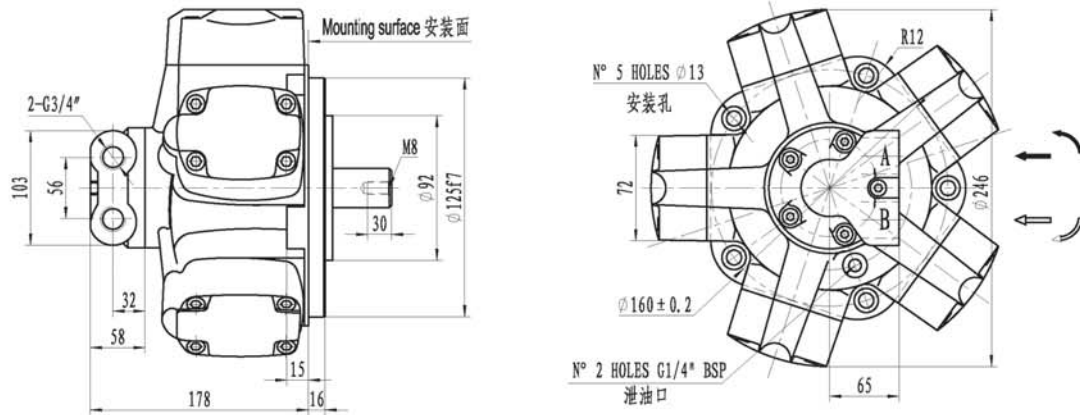
Please read carefully the specifications before selection

IPM

型号 TYPE	理论排量(ml/r) THEORIC DISPLACEMENT	额定压力(MPa) RATED PRESSURE	尖峰压力(MPa) PEAK PRESSURE	额定扭矩(N·m) RATED TORQUE	单位扭矩(N·m/MPa) SPECIFIC TORQUE	转速范围(r/min) SPEED RANGE	最大功率(kW) Max POWER	重量(kg) WEIGHT
IPM6-1400	1406	16	25	3568	223.00	3-230	78	98
IPM6-1500	1481	16	25	3760	235.00	3-210		
IPM6-1600	1597	16	25	4064	254.00	3-200		
IPM7-1400	1413	20	30	4500	225.00	2-300	95	158
IPM7-1600	1648	20	30	5248	262.40	2-250		
IPM7-1800	1815	18	28	5184	288.00	2-220		
IPM7-2000	2035	16	25	5168	323.00	2-200		
IPM7-2200	2268	16	25	5776	361.00	2-180		
IPM7-2400	2480	16	25	6304	394.00	2-160		
IPM8-2450	2449	20	30	7780	389.00	2-200	128	307
IPM8-2550	2559	20	30	8140	407.00	2-200		
IPM8-2800	2845	18	28	8136	452.00	1-175		
IPM8-3000	3023	16	25	7696	481.00	1-150		
IPM8-3300	3333	16	25	8480	530.00	1-150		
IPM8-3500	3526	16	25	8976	561.00	1-130		
IPM8-4000	3998	16	25	10176	636.00	1-130		
IPM9-3550	3560	20	28	11320	566.00	1-160		
IPM9-3700	3720	20	28	11840	592.00	1-160		
IPM9-4000	4136	20	28	13160	658.00	1-150		
IPM9-4400	4396	16	25	11184	699.00	1-150		
IPM9-4800	4846	16	25	12336	771.00	1-125		
IPM9-5000	5127	16	25	13040	815.00	1-120		
IPM9-5500	5514	16	25	14032	877.00	1-120		
IPM9-5800	5814	16	25	14800	925.00	1-110		
IPM9-6300	6322	16	25	16096	1006.00	1-110	160	720
IPM10-6000	6056	20	28	19276	963.80	1-110		
IPM10-6500	6437	20	28	20489	1024.45	1-105		
IPM10-7000	7096	20	28	22587	1129.35	1-100		
IPM10-7500	7508	16	25	19118	1194.88	1-95		
IPM10-8000	8074	16	25	20560	1285.00	1-90		
IPM10-8500	8512	16	25	21696	1356.00	1-90	220	900
IPM11-9000	8953	20	28	28470	1423.50	0.5-100		
IPM11-9500	9559	20	28	30398	1519.90	0.5-95		
IPM11-10000	10028	20	28	31889	1594.45	0.5-90		
IPM11-11000	10507	16	25	26730	1670.63	0.5-85		
IPM11-11500	11331	16	25	28826	1801.63	0.5-85		
IPM11-12000	12186	16	25	31001	1937.56	0.5-80	250	1800
IPM12-14000	14389	20	28	45757	2287.85	0.5-75		
IPM12-15500	15667	20	28	49821	2491.05	0.5-70		
IPM12-16500	16460	20	28	52342	2617.10	0.5-70		
IPM12-17000	17000	20	28	54060	2703.00	0.5-70		
IPM12-18000	18387	20	28	58470	2923.50	0.5-65		
IPM12-18500	18957	16	25	48226	3014.13	0.5-65		
IPM12-19500	19536	16	25	49700	3106.25	0.5-65		
IPM12-20000	19829	16	25	50446	3152.88	0.5-65		
IPM12-21500	21325	16	25	54250	3390.63	0.5-65		
IPM12-23000	22857	16	25	58194	3637.13	0.5-60		

IPM1系列液压马达 IPM1 Series Hydraulic Motors

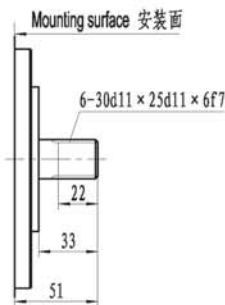
DIMENSIONS



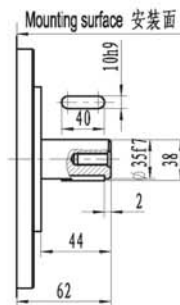
SHAFTS

轴伸型式

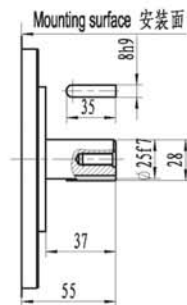
Standard external splined IPM1-\*\*\*  
标准外花键



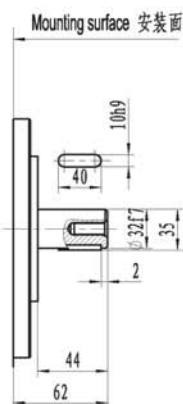
Standard cylindrical IPM1-\*\*\*B  
标准平键



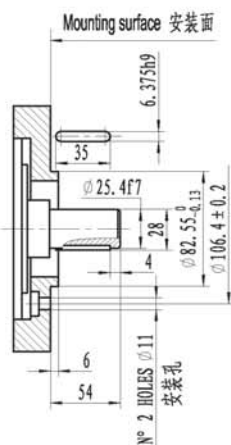
IPM1-\*\*\*B28



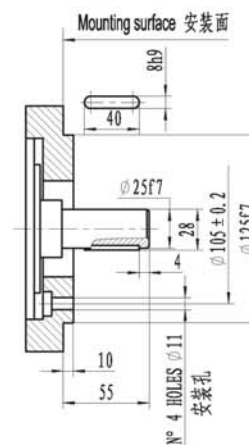
IPM1-\*\*\*B31



IPM1-\*\*\*B3

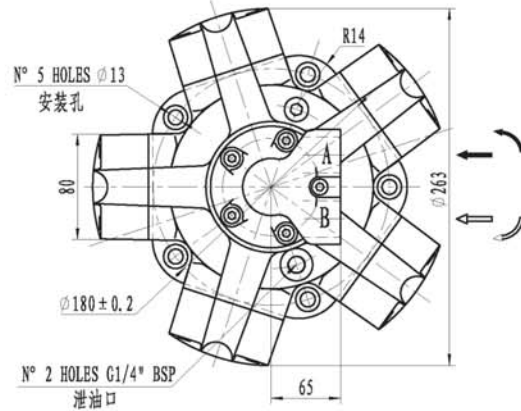
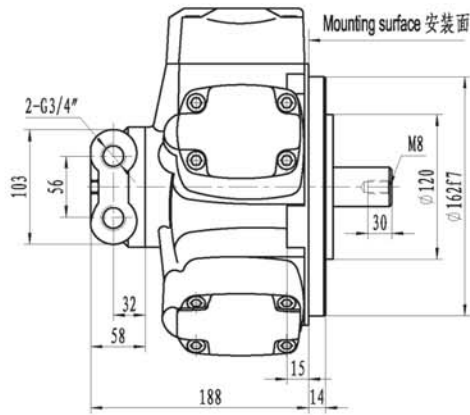


IPM1-\*\*\*B11



IPM2系列液压马达 IPM2 Series Hydraulic Motors

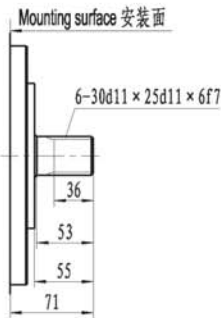
DIMENSIONS



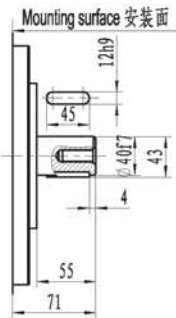
SHAFTS

输出轴样式

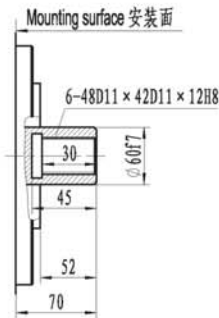
Standard external splined IPM2-\*\*\*  
标准外花键



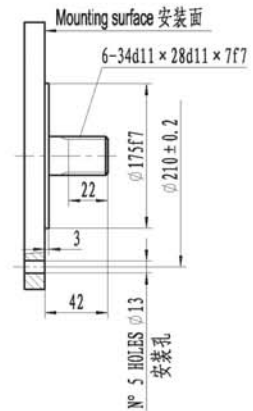
Standard cylindrical IPM2-\*\*\*B  
标准平键



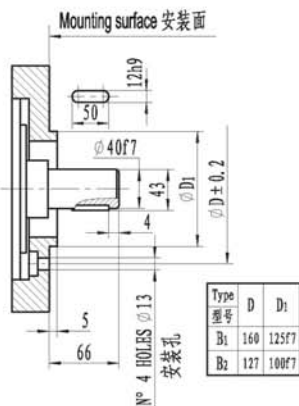
Standard internal splined IPM2-\*\*\*I  
标准内花键



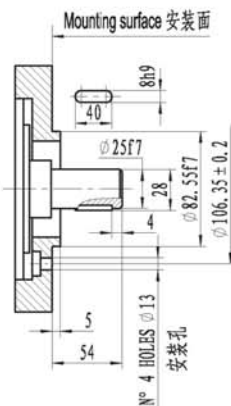
IPM2-\*\*\*SL1



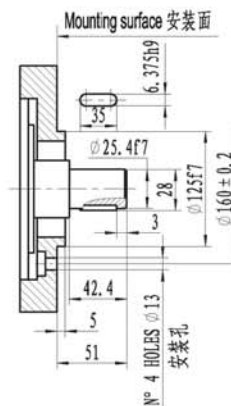
IPM2-\*\*\*B1, B2



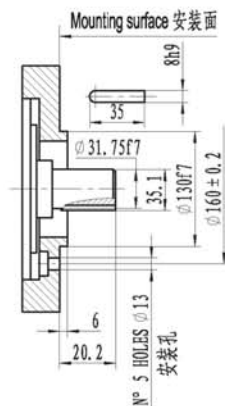
IPM2-\*\*\*B24



IPM2-\*\*\*B3

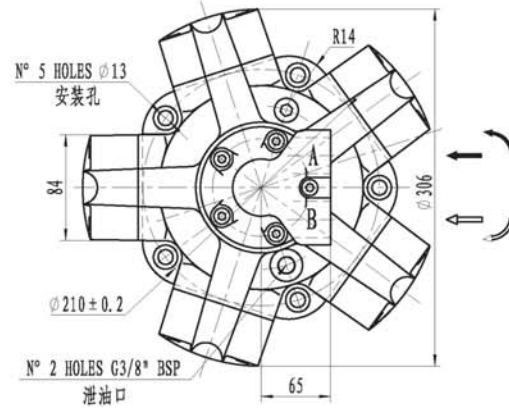
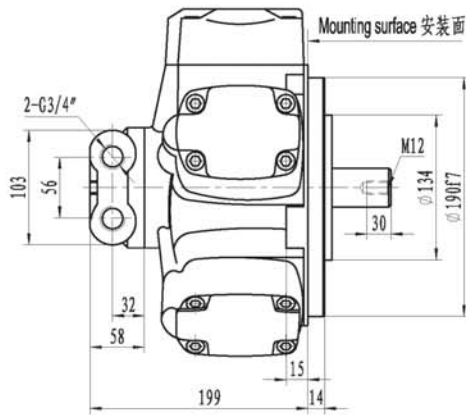


IPM2-\*\*\*B14



## IPM3系列液压马达 IPM3 Series Hydraulic Motors

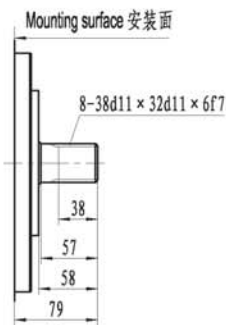
### DIMENSIONS



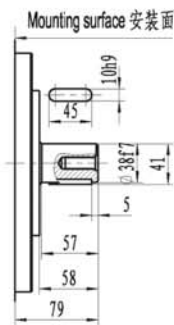
### SHAFTS

### 输出轴样式

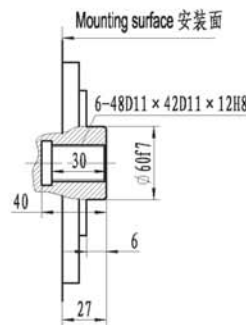
Standard external splined IPM3-\*\*  
标准外花键



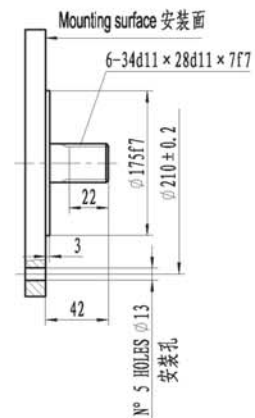
Standard cylindrical IPM3-\*\*B  
标准平键



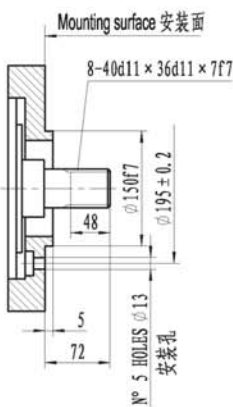
Standard internal splined IPM3-\*\*I  
标准内花键



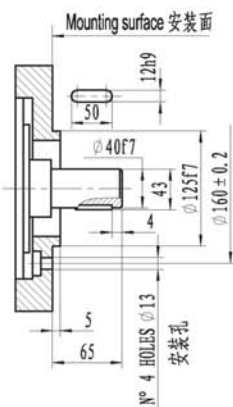
IPM3-\*\*SL<sub>1</sub>



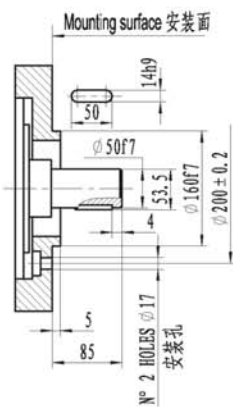
IPM3-\*\*SL<sub>2</sub>



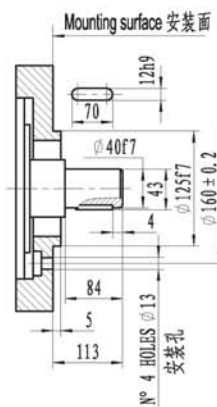
IPM3-\*\*B<sub>1</sub>



IPM3-\*\*B<sub>2</sub>

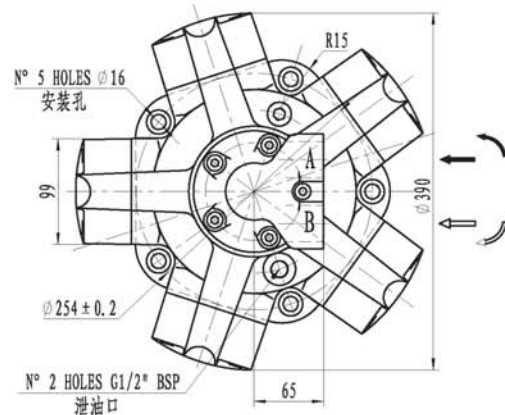
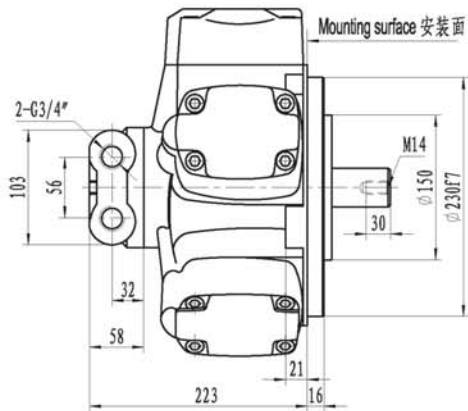


IPM3-\*\*B<sub>5</sub>



IPM4系列液压马达 IPM4 Series Hydraulic Motors

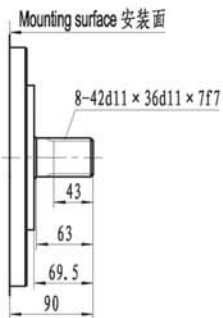
DIMENSIONS



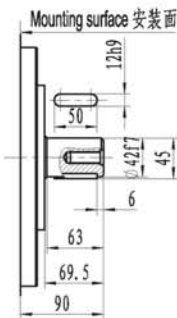
SHAFTS

输出轴样式

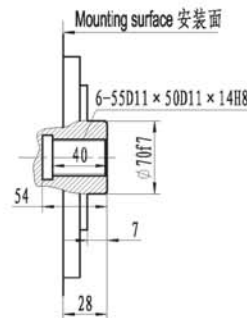
Standard external splined IPM4-\*\*\*  
标准外花键



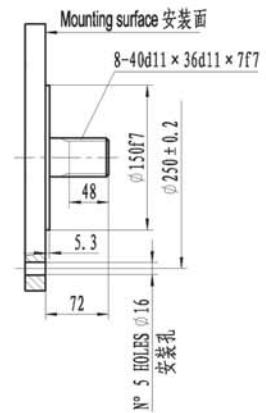
Standard cylindrical IPM4-\*\*\*B  
标准平键



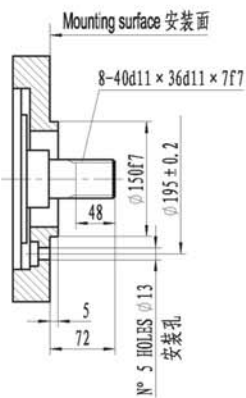
Standard internal splined IPM4-\*\*\*I  
标准内花键



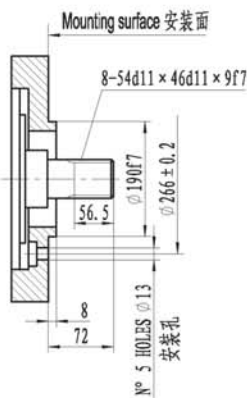
IPM4-\*\*\*SL3



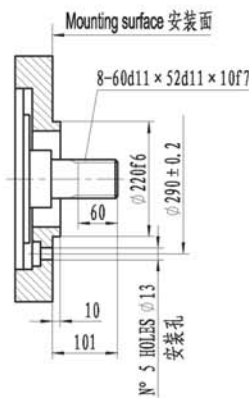
IPM4-\*\*\*SL2



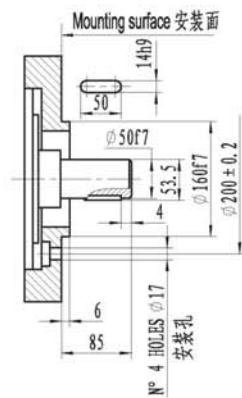
IPM4-\*\*\*N



IPM4-\*\*\*N1

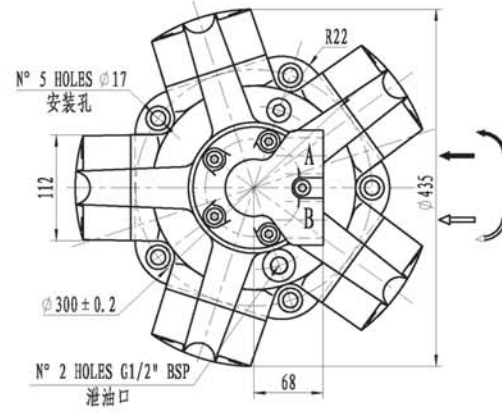
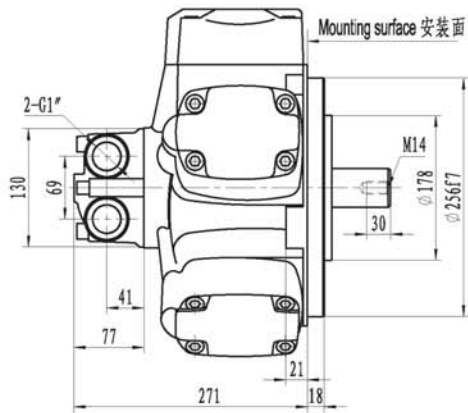


IPM4-\*\*\*B2



## IPM5系列液压马达 IPM5 Series Hydraulic Motors

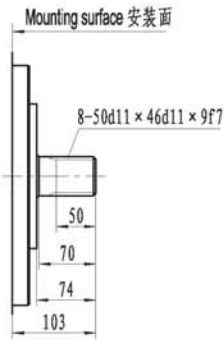
### DIMENSIONS



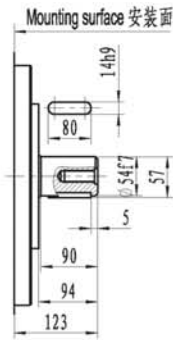
### SHAFTS

### 输出轴样式

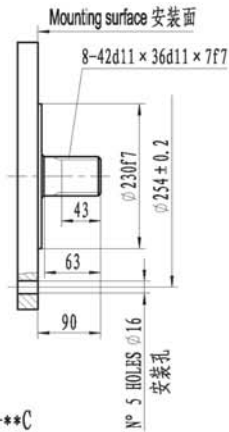
Standard external splined IPM5-\*\*-  
标准外花键



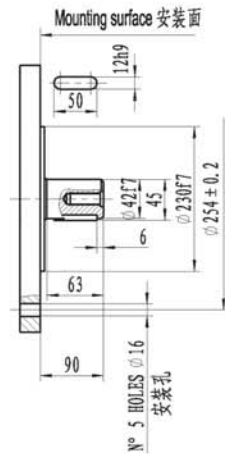
Standard cylindrical IPM5-\*\*-B  
标准平键



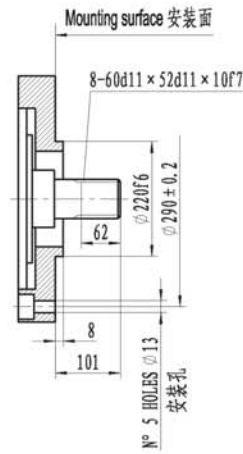
IPM5-\*\*-4



IPM5-\*\*-4B



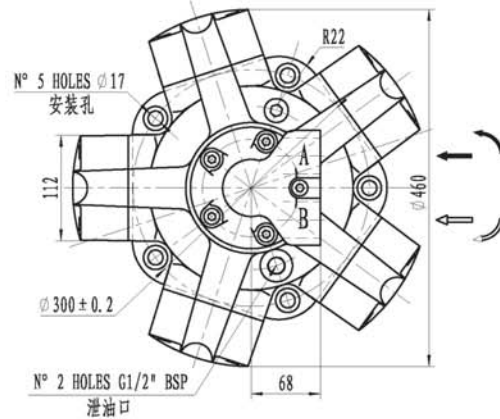
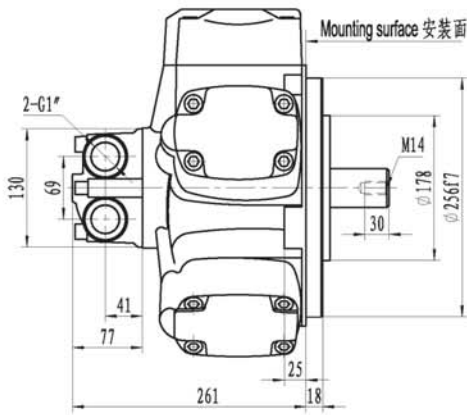
IPM5-\*\*-C





IPM6系列液压马达 IPM6 Series Hydraulic Motors

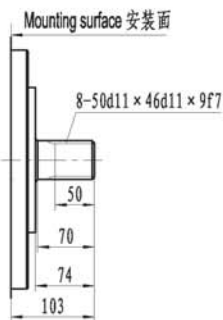
DIMENSIONS



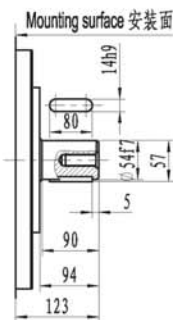
SHAFTS

输出轴样式

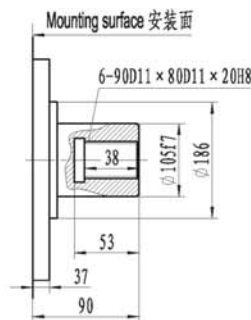
Standard external splined IPM6-\*\*  
标准外花键



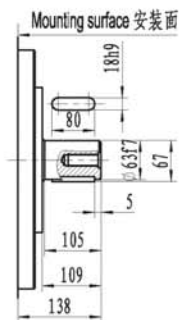
Standard cylindrical IPM6-\*\*B  
标准平键



Standard internal splined IPM6-\*\*I  
标准内花键



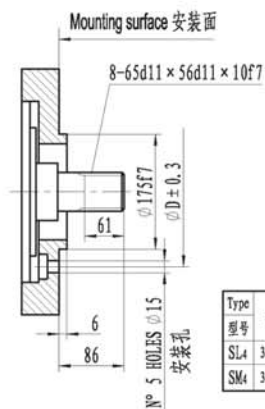
IPM6-\*\*D



IPM6-\*\*SL<sub>3</sub>

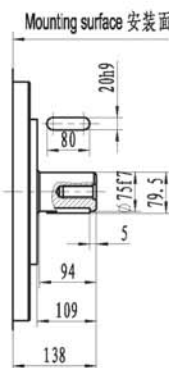


IPM6-\*\*SL<sub>4</sub>, SM<sub>4</sub>

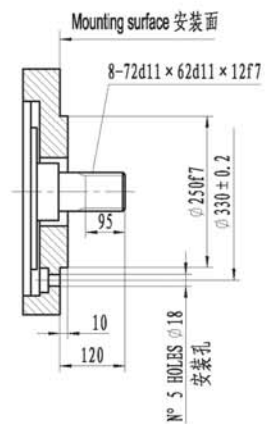


Type	D
SL <sub>4</sub>	310
SM <sub>4</sub>	330

IPM6-\*\*B<sub>29</sub>

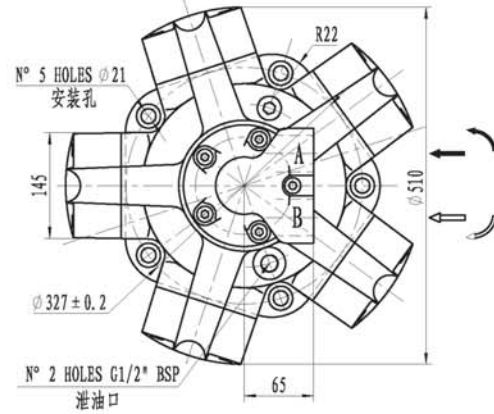
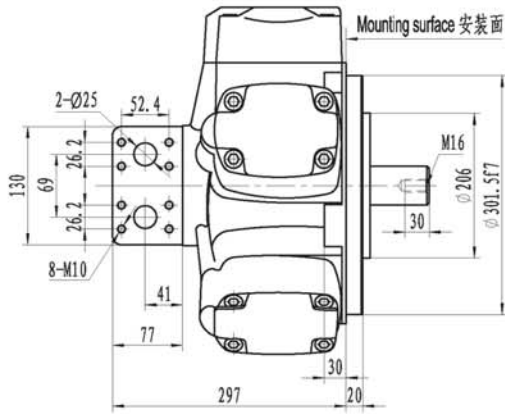


IPM6-\*\*K



## IPM7系列液压马达 IPM7 Series Hydraulic Motors

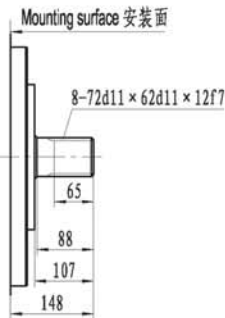
### DIMENSIONS



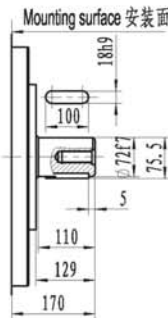
### SHAFTS

### 输出轴样式

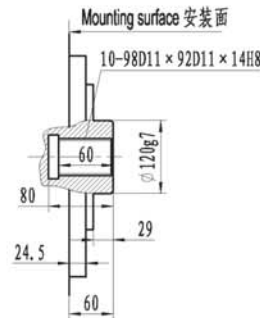
Standard external splined IPM7-\*\*  
标准外花键



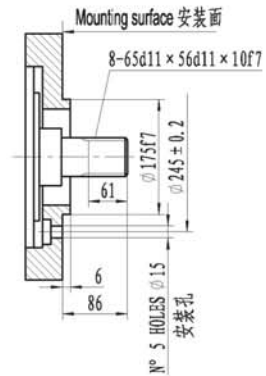
Standard cylindrical IPM7-\*\*B  
标准平键



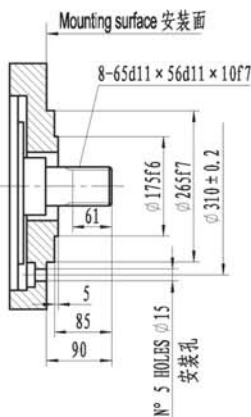
Standard internal splined IPM7-\*\*I  
标准内花键



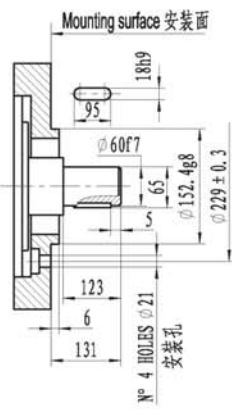
IPM7-\*\*SM4



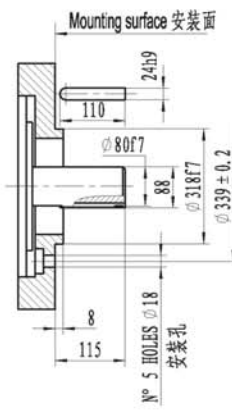
IPM7-\*\*SL5



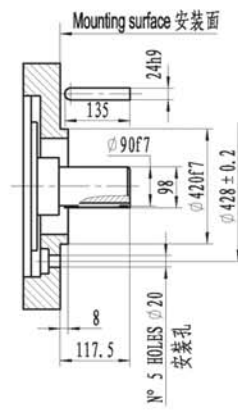
IPM7-\*\*B6



IPM7-\*\*B17

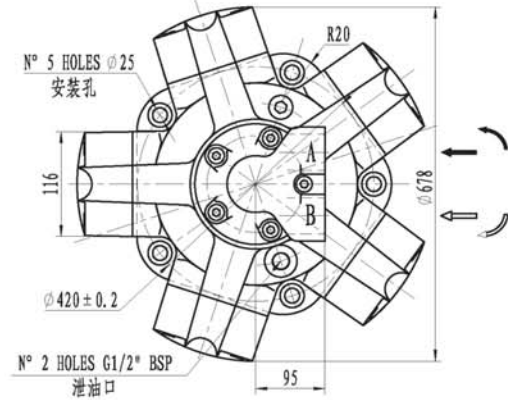
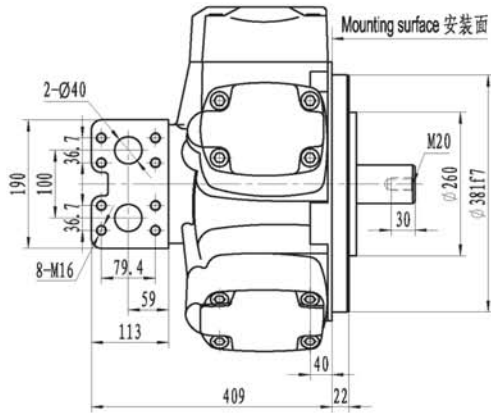


IPM7-\*\*B18



IPM8系列液压马达 IPM8 Series Hydraulic Motors

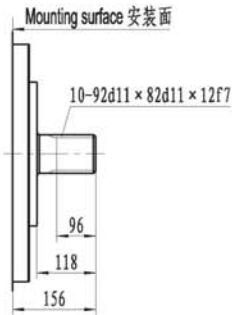
DIMENSIONS



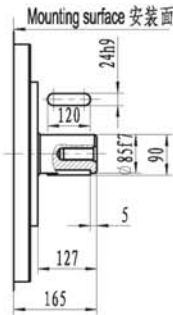
SHAFTS

输出轴样式

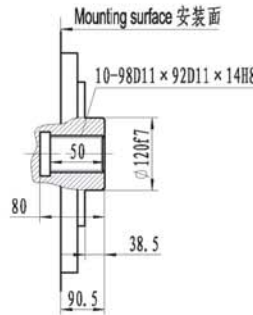
Standard external splined IPM8-\*\*\*  
标准外花键



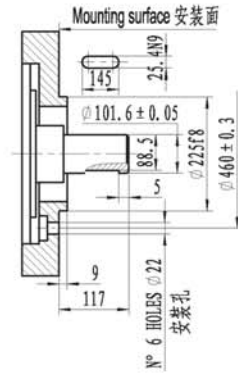
Standard cylindrical IPM8-\*\*\*B  
标准平键



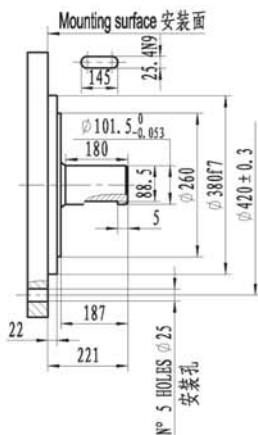
Standard internal splined IPM8-\*\*\*I  
标准内花键



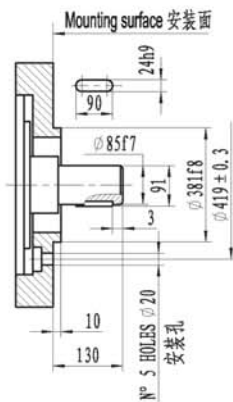
IPM8-\*\*\*B8



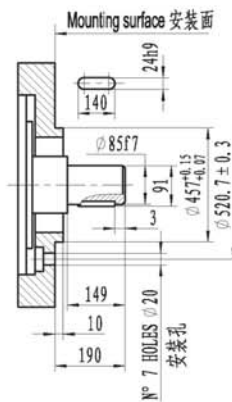
IPM8-\*\*\*B10



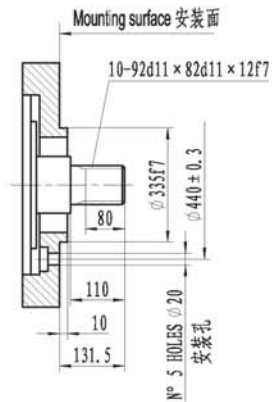
IPM8-\*\*\*B21



IPM8-\*\*\*B22



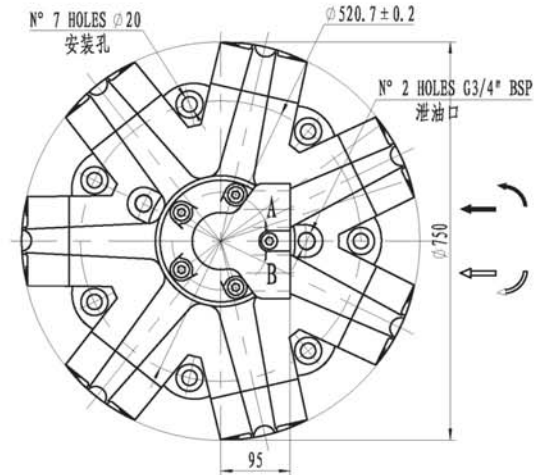
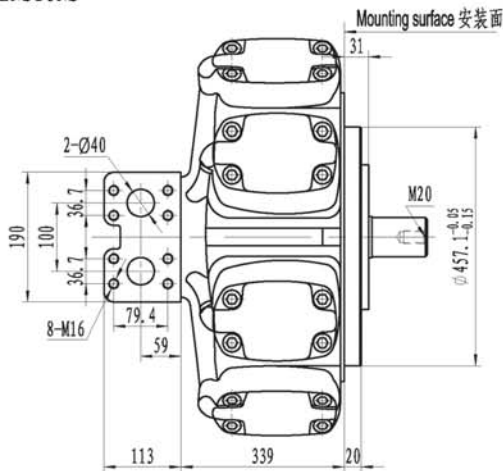
IPM8-\*\*\*N1



IPM9系列液压马达

IPM9 Series Hydraulic Motors

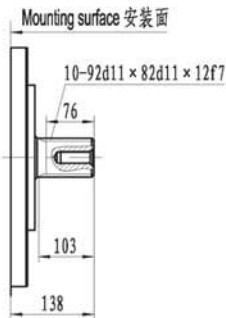
DIMENSIONS



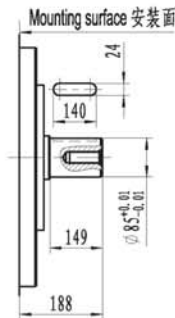
SHAFTS

输出轴样式

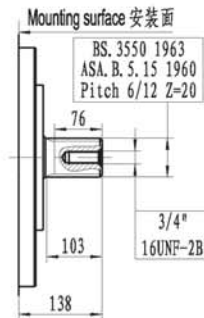
Standard external splined IPM9-\*\*  
标准外花键



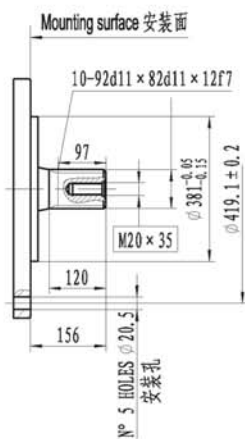
Standard cylindrical IPM9-\*\*B  
标准平键



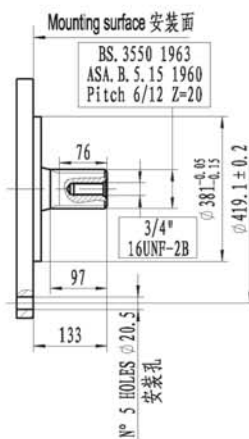
IPM9-\*\*A



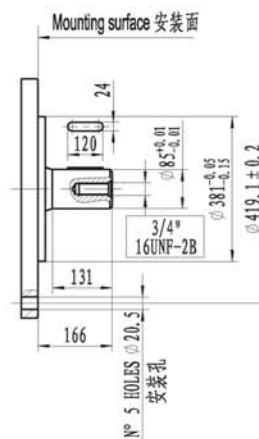
IPM9-\*\*-8



IPM9-\*\*A1

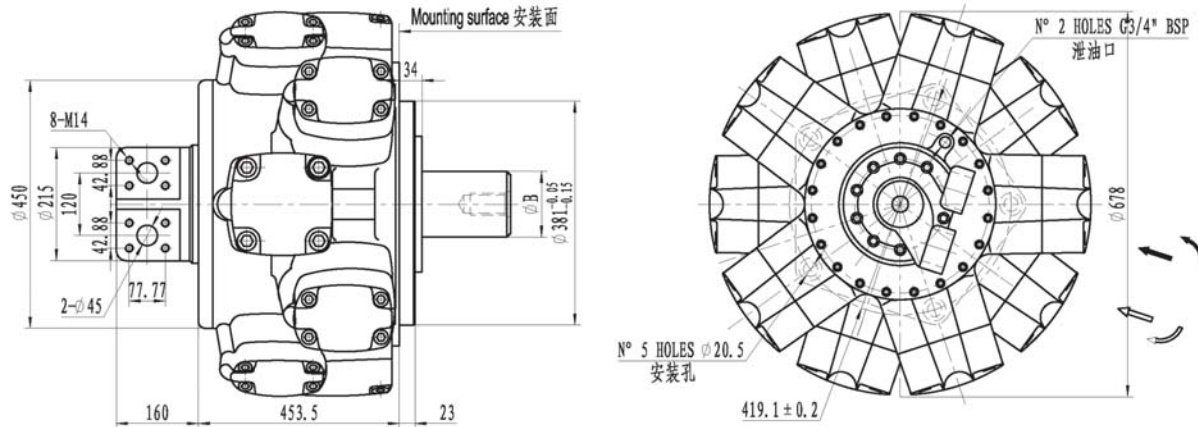


IPM9-\*\*B1



## IPM10系列液压马达 IPM10 Series Hydraulic Motors

### DIMENSIONS



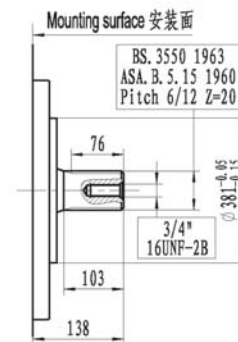
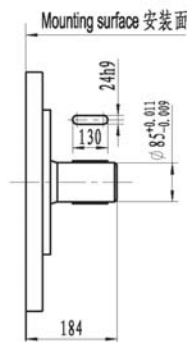
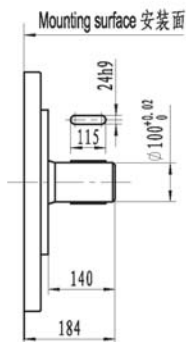
### SHAFTS

### 输出轴样式

Standard cylindrical IPM10-\*\*B  
标准平键

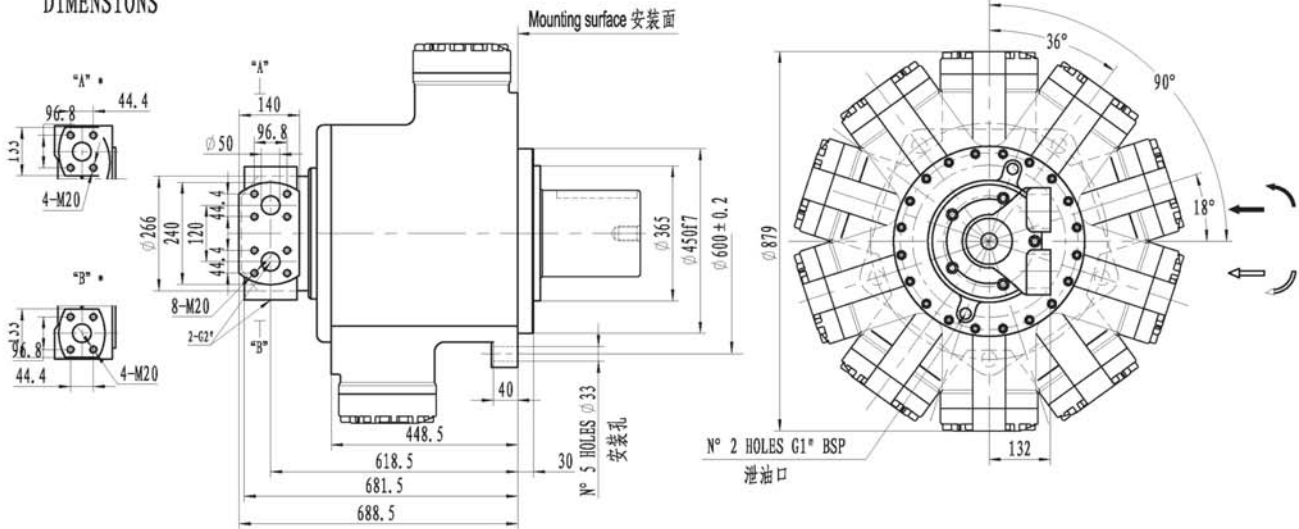
IPM10-\*\*B<sub>1</sub>

Standard external splined IPM10-\*\*A  
标准渐开线外花键



## IPM11系列液压马达 IPM11 Series Hydraulic Motors

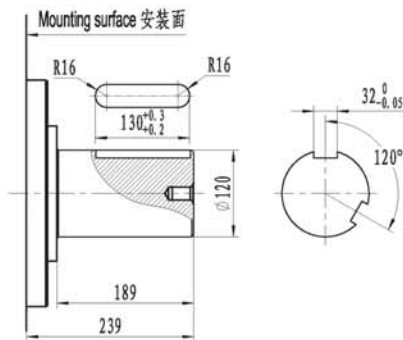
### DIMENSIONS



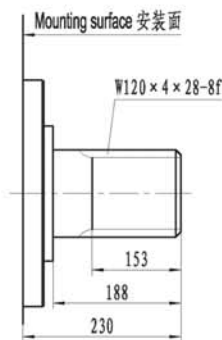
### SHAFTS

### 输出轴样式

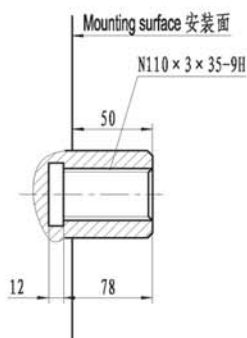
Standard cylindrical IPM11-\*\*B  
标准平键



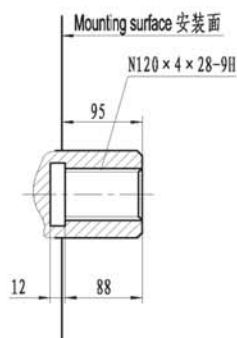
Standard external splined IPM11-\*\*  
标准外花键



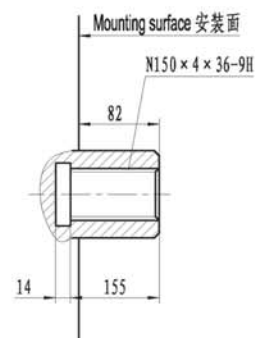
Standard internal splined IPM11-\*\*I  
标准内花键



IPM11-\*\*I<sub>2</sub>

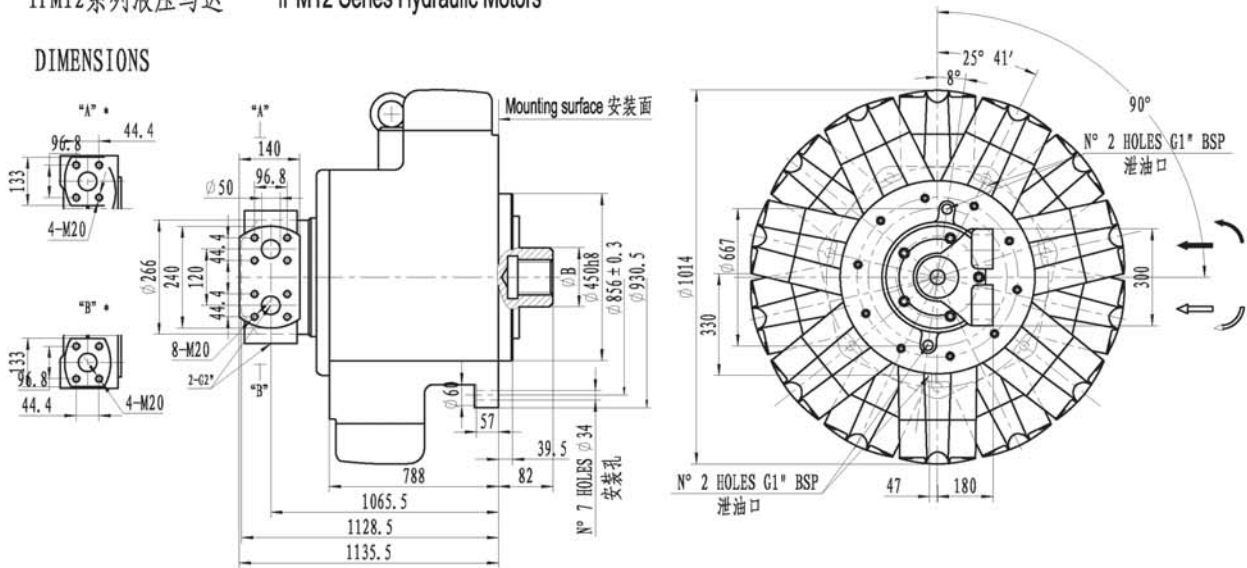


IPM11-\*\*I<sub>3</sub>



## IPM12系列液压马达 IPM12 Series Hydraulic Motors

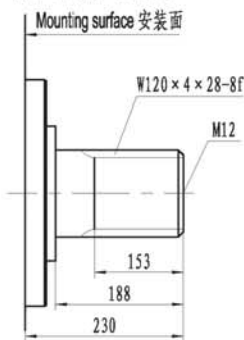
### DIMENSIONS



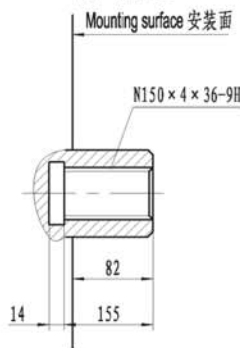
### SHAFTS

### 输出轴样式

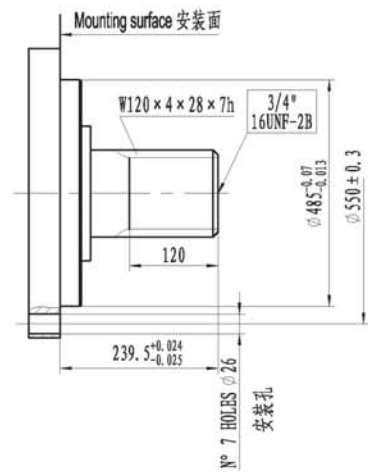
Standard external splined IPM12-\*\*\*A  
标准外渐开线花键



Standard internal splined IPM12-\*\*\*I  
标准内花键



IPM12-\*\*\*A



IPM12-\*\*\*B

